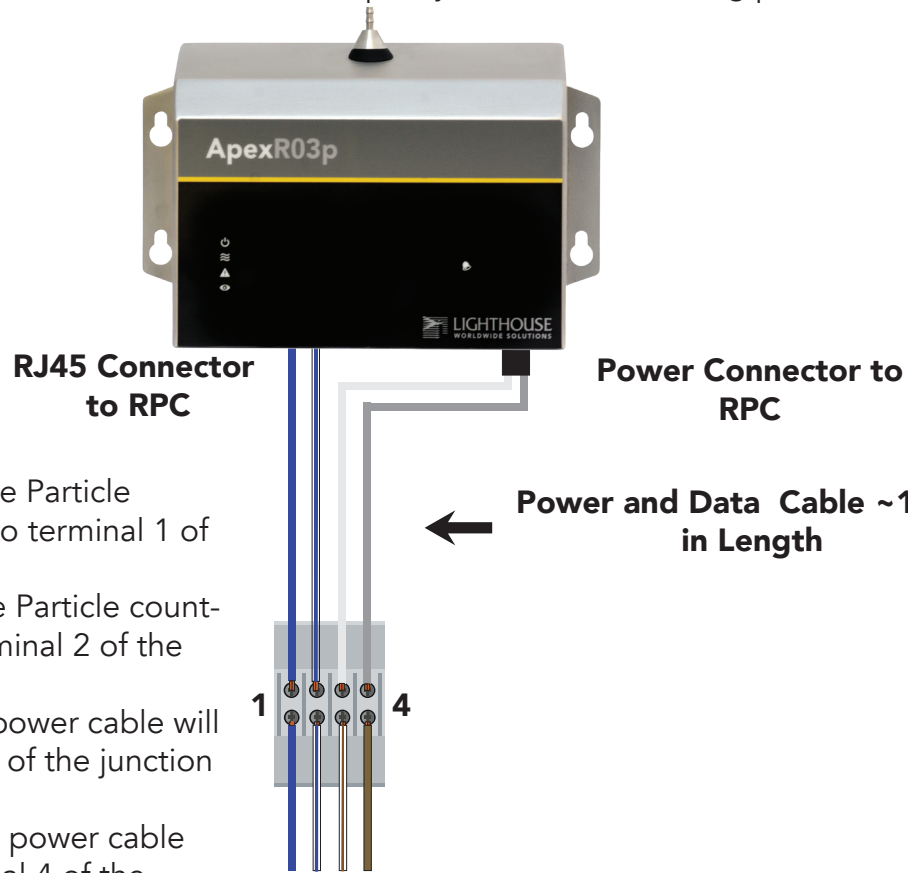


ApexRp 0.1 CFM Power Distribution Box

The R0xP Power distribution box powers the 0.1 CFM ApexRp without requiring an extra cable, providing a convenient solution. It serves as a compact junction box enabling power and data transfer in a single package.



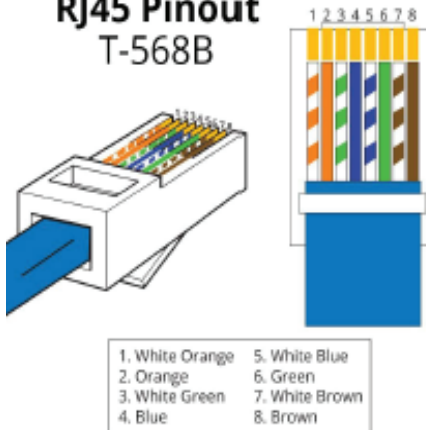
- Pin 4 (Data +) from the Particle counter will connect to terminal 1 of the junction box
- Pin 5 (Data -) from the Particle counter will connect to terminal 2 of the junction box
- Power wire from the power cable will connect to terminal 3 of the junction box
- Ground wire from the power cable will connect to terminal 4 of the junction box

Power and Data Cable ~1 foot in Length

RJ45 Connector to Control Cabinet/ Gateway

- Pin 4 (Data +) from the control cabinet will connect to terminal 1 of the junction box
- Pin 5 (Data -) from the control cabinet will connect to terminal 2 of the junction box
- Pin 7 from the control cabinet will connect to terminal 3 of the junction box
- Pin 8 from the control cabinet will connect to terminal 4 of the junction box

RJ45 Pinout T-568B



Lighthouse Worldwide Solutions reserves the right to change specifications without notice.