

LS20/60

LIQUID BATCH SAMPLERS



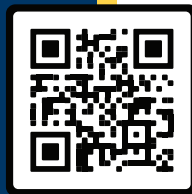
The Liquid Batch Samplers are an integrated syringe sampler and optical particle counting system with an easy-to-use Windows-based software interface.


With a sample flow rate of 60 ml/min or 20 ml/min, the Liquid Batch Samplers provide unprecedented measurement speed and accuracy. Using a high-accuracy syringe pump flow control system and high-volume sensor, it is the perfect tool for multiple batch sampling applications.

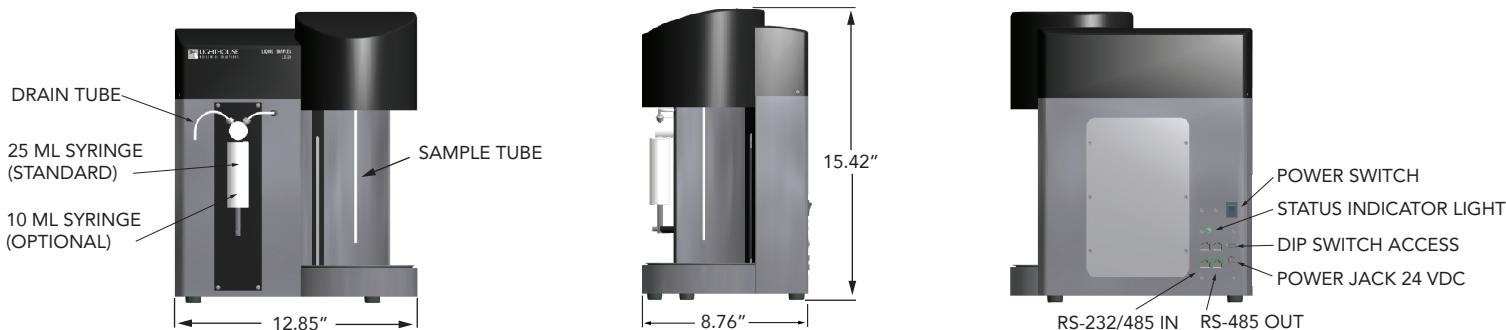
The Liquid Batch Samplers are easy to configure and operate. Data is automatically recorded and readily available in real-time graph and tabular form. Reports can be preconfigured and printed at the touch of a key.

F E A T U R E S

- 0.1 - 100.0 μ m or 1.0 μ m-50 μ m Particle Size Channels
- Sample volumes 1mL to 1 Liter
- 8 channel sizes
- Precise syringe pump flow control
- Stainless steel enclosure
- Built-in magnetic stirrer
- Compact footprint
- RS-485 MODBUS communication
- 2 Year Warranty



 Learn More



TECHNICAL DATASHEET

Liquid Batch Samplers

Features / Models	LS20	LS60
Minimum Size Detection	1.0 µm	0.1 µm
Standard 8 channel sizes	1.0, 2.0, 3.0, 5.0, 10.0, 15.0, 25.0, 50.0 µm	0.1, 0.15, 0.2, 0.25, 0.3, 0.35, 0.4, 0.5 µm
Size Ranges	User definable 1.0 - 50.0 µm	0.1 - 0.5 µm; 0.2 - 2.0 µm; 0.3 - 3.0 µm; 0.5 - 100.0 µm
Flow Rate	20 ml/minute	60 ml/min
Reports	Current USP, EP, JP, KP, CP and custom recipes	Current USP, EP, JP, KP, CP and custom recipes
Laser Source	Laser Diode	
Calibration	NIST Traceable	
Syringe Sizes	10 ml, 25 ml	
Maximum Sample	1 Liter	
Communication Mode	RS-485 MODBUS	
Wetted Components	Teflon (PFA), Quartz, Kalrez, Kel F, Polypropylene	
Stirrer	Magnetic with adjustable speed	
Connectors	RJ-45	
Supporting Software	LS20 Software/ LS60 Software	
Enclosure	Stainless Steel	
Power	100-240 VAC, 24 VDC	
Dimensions	12.875"(l) x 8.75"(w) x 14.75"(h) [32.7 x 22.2 x 37.5 cm]	
Weight	20.5 lbs (9.3 kg)	
Environmental Conditions	Operating: 50°F to 104°F (10°C to 40°C) / 20% to 95% non-condensing Storage: 14°F to 122°F (-10°C to 50°C) / up to 98% non-condensing	
Minimum System Requirement	Windows 7™ or Windows 10™ compatible computer.	

Includes Instrument, USB to RJ45 cable, power supply, 500 ml beaker with edge guard, 10 feet of tubing, flow cell cleaning solution, nut and ferrule kit, 2x magnetic stir bars; Operators Manual on USB key; Calibration Certificate and Carry Case with wheels.

Optional Printed operating manual, IQ/OQ Validation Documents, 10ml syringe; 5-piece beaker set (50, 100, 250, 600, 1000 ml beakers). certificate of origin.

Distributed By:



Lighthouse Worldwide Solutions reserves the right to change specifications without notice.

www.golighthouse.com
info@golighthouse.com

+1-800-945-5905
+1-541-770-5905

LIGHTHOUSE
WORLDWIDE SOLUTIONS