

RemoteRTD

TEMPERATURE SENSOR



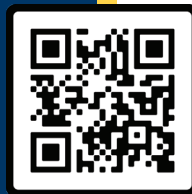
The Remote RTD is a small, cost-effective high, accuracy temperature sensor suited for cleanroom applications and monitoring laboratory equipment where the product is stored. Ideal for incubator, oven, fridge, and freezer applications in your facility or basic room monitoring and storage facility monitoring for product storage.


With an easy installation, IP65 rated cable outlet, and IP65/NEMA 4 enclosure, the Remote RTD is most suitable for cleanroom applications requiring high protection class. The easy-install design enables secure mounting on vertical or horizontal surfaces.

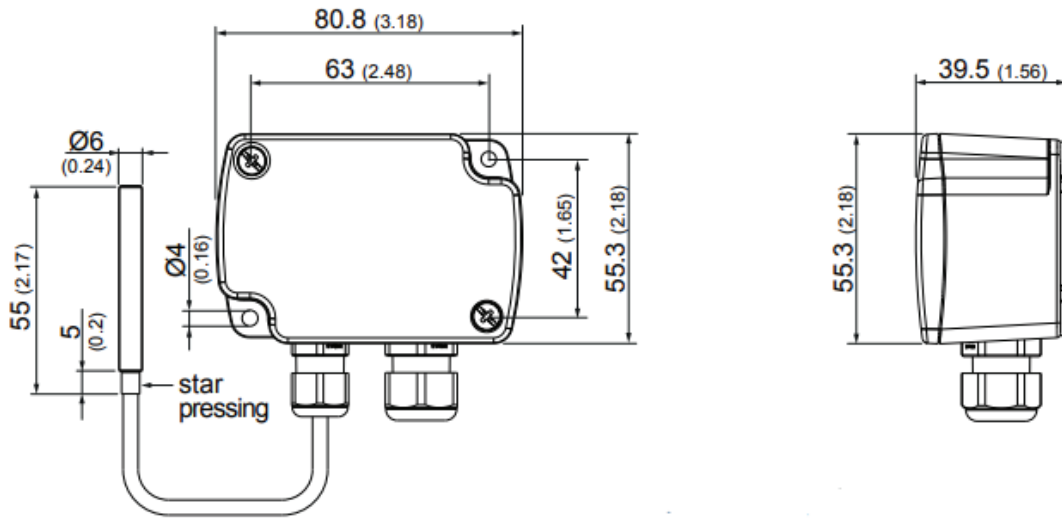
Only one CAT 5/6 cable is required for power and communications.

F E A T U R E S

- Multi-range measurement
- Smooth Cover and Cleanroom Friendly
- Simple On-site Installation
- Long Term Sensor Stability
- Bayonet Screws for Easy Access $\frac{1}{4}$ Turn Rotation
- IP65/NEMA Enclosure
- Remote Probe Option with Different Cable
- 2 Year Warranty



 Learn More



TECHNICAL DATASHEET

RemoteRTD Temperature

Features / Models

Active Output

Working Range

Remote probe: -30 °C... +105 °C (-22 °F...+221 °F)

Output

4 - 20 mA

Sensing Element

Pt1000 (class A, DIN EN60751)

Accuracy

±0.3 °C (±0.54 °F) at 20 °C (68 °F)

Power Supply

10 V DC + RL x 20 mA < V+ < 35 V DC

Electromagnetic Compatibility

EN61326-1, EN61326-2-3 - Industrial Environment

Passive Output

Working Range

-30 °C...+105 °C (-22 °F...+221 °F)

T-sensor Connection

Two-wire

Electrical Connection

screw terminal, 2x max. 2.5 mm² (0.004 in²)

General

Housing Material

Polycarbonate, UL94V-0 (with Display UL94HB) approved

Protection Class

Enclosure IP65 / NEMA4, remote probe IP20

Cable Gland

M16x1.5, UL94-V2

Hose Clamp Material

stainless steel (corr. 1.4301 / 304)

Storage Temperature

-30 °C...+70 °C (-22 °F...+158 °F)

Storage And Working Humidity

5 % rh...95 % rh, no condensation

Distributed By:



Lighthouse Worldwide Solutions reserves the right to change specifications without notice.