

RemoteDP

DIFFERENTIAL PRESSURE SENSOR



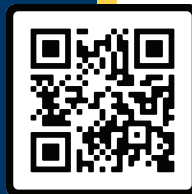
The Remote DP Sensor is the ideal solution for highly accurate measurement of low differential pressure in cleanroom environments, hospitals, laboratories, and the pharmaceutical industry. The Remote DP Sensor is suitable for air as well as non-flammable and non-aggressive gases.

The Remote DP Sensor offers ± 0.5 Pa accuracy over the entire measurement range. The measured data is available on the analog voltage and current outputs.

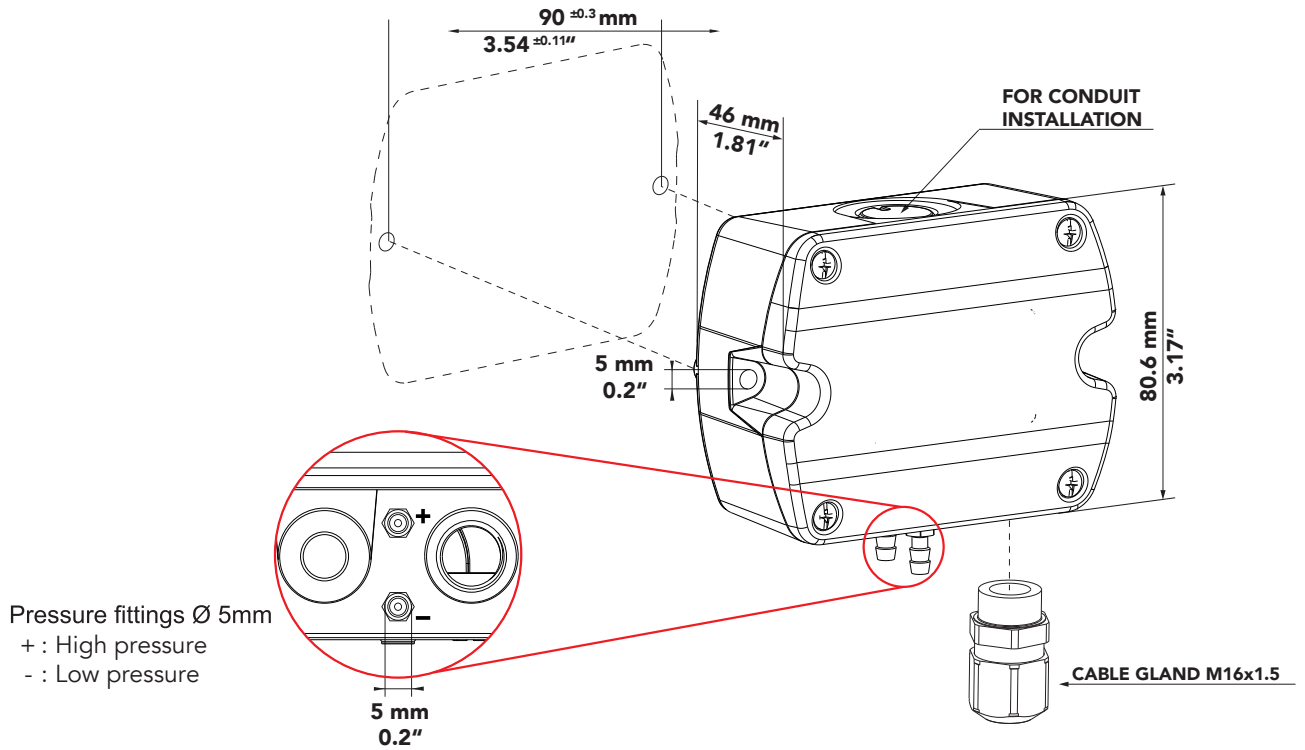
The enclosure is IP65/NEMA, protecting the electronics against construction site damage and pollution.

F E A T U R E S

- Multi-range measurement
- Smooth Cover and Cleanroom Friendly
- Simple On-site Installation
- Long Term Sensor Stability
- Bayonet Screws for Easy Access $1/4$ Turn Rotation
- IP65/NEMA Enclosure
- 2 Year Warranty



 Learn More



TECHNICAL DATASHEET

RemoteDP Sensor Specifications

Features / Models	Remote Differential Pressure Sensor
Measurement principle	piezoresistive, no flow-through
Measurement range	± 25 / ± 50 / ± 100 Pa (± 0.1 / ± 0.2 / ± 0.4 inch WC)
Accuracy at 20 °C (68 °F)	± 0.5 Pa = ± 0.5 % Full Scale
Response time t90	50 ms / 500 ms / 2 s / 4 s selectable with DIP switches
Temperature dependency	0.03Pa / K
Long-term stability	< 0.5 Pa / year
Overload limits	± 7000 Pa (± 28 inch WC)
Analog outputs	0-5 V or 0-10V and 0-20 mA or 4-20 mA (3-wire)
Power supply	15 - 35 V DC or 24V AC ± 20%
Current consumption	23 mA at 0 Pa / 24 V DC
Electrical connection	Spring terminals max. 1.5 mm ² (AWG 16)
Cable gland	M16x1.5
Electromagnetic compatibility	EN61326-1, EN61326-2-3
Housing material	Polycarbonate, UL94V-0
Protection class	Enclosure IP65 / NEMA4
Working humidity and Temperature ranges	Relative Humidity 0...95 % RH (non-condensing) Operation: -20 ... +60 °C (-4...140°F) Storage: -40 ... +70 °C (-40...158°F)

Distributed By:



Lighthouse Worldwide Solutions reserves the right to change specifications without notice.

www.golighthouse.com
info@golighthouse.com

+1-800-945-5905
+1-541-770-5905

 **LIGHTHOUSE**
WORLDWIDE SOLUTIONS