

# RemoteTRH

TEMPERATURE AND RELATIVE HUMIDITY SENSOR

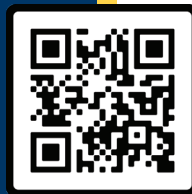



**T**he combined Remote TRH sensor is a cost effective and highly accurate sensor designed for cleanroom and controlled environment applications. The Remote TRH sensor has been designed to allow fast and easy installation and provides reliable protection in sterile cleanroom facilities.

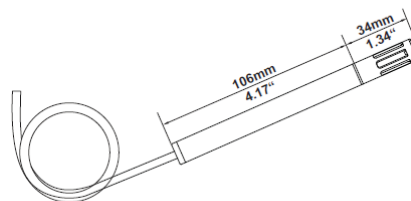
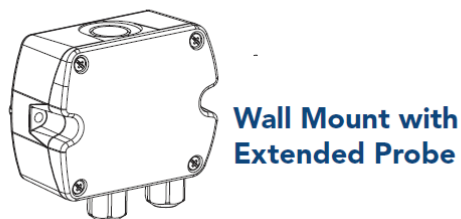
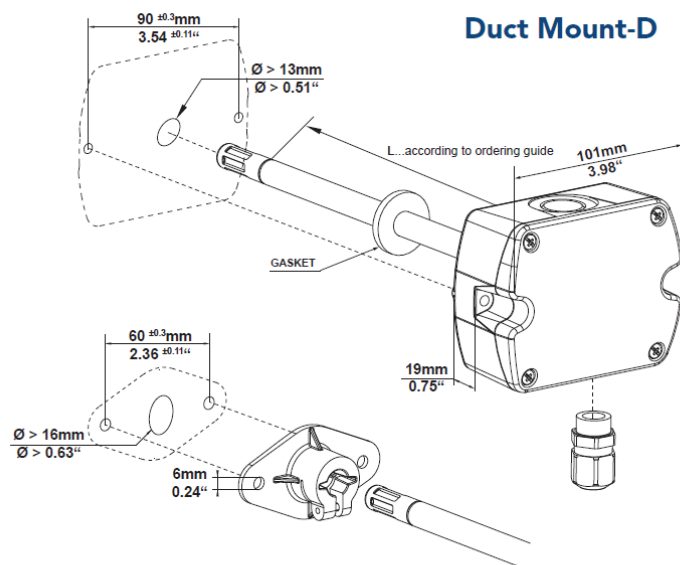
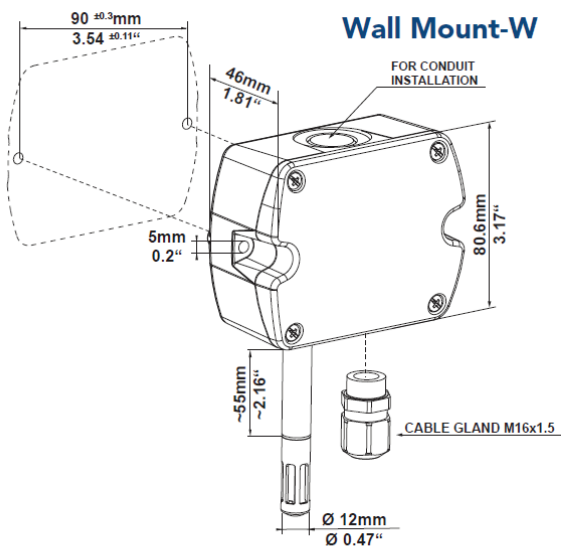
The Remote sensor uses the latest sensor technology which offers long-term stability and resistance against pollutants. The enclosure is IP65/NEMA 4 rated and ideal for cleanroom applications. The sensor has been designed for easy on-site installation and comes in wall or duct mounted versions with fixed or extended probes to enable installation in challenging situations.

## F E A T U R E S

- Range 0-100% RH -40 to +60°C
- Enhanced Sensor Protection
- Simple On-site Installation
- Wall or Duct Mounted
- Cleanroom Wipe Down
- IP65/NEMA Enclosure
- Optional LCD Display
- 2 Year Warranty



 Learn More



## TECHNICAL DATASHEET

### RemoteTRH Temperature and Relative Humidity Sensor

Features / Models	TRH-W-03-25 or TRH-D-03-25	TRH-W-02-15 or TRH-D-02-15
Working Range	0-100% RH / -40...60°C	0-100% RH / -40...60°C
Accuracy at 20 °C	±2.5% RH / ±0.3°C	±1.5% RH / ±0.2°C
Temperature Ranges	Operating: -40...60°C (-40...80°C for remote probe) Storage: -40...60°C	Operating: -20...50°C (-40...80°C for remote probe) Storage: -20...60°C
Display	Not Available	Optional
Outputs	4-20mA	
Power supply	10V + RL x 20 mA < V+ < 30V DC	
Connection	Screw terminals, max. 1.5 mm <sup>2</sup>	
Housing material	Polycarbonate, UL94V-0 (with Display UL94HB) approved	
Protection class	IP65 / NEMA 4	
Cable gland	M16 x 1,5	
Probe cable (type C)	PVC, Ø 4.3mm, 4 x 0.25 mm <sup>2</sup> , Length: 1.5 or 3m (4.9 or 9.8ft)	
Electromagnetic compatibility	EN61326-1 EN61326-2-3 - Industrial Environment	

Distributed By:



Lighthouse Worldwide Solutions reserves the right to change specifications without notice.

www.golighthouse.com  
info@golighthouse.com

+1-800-945-5905  
+1-541-770-5905

