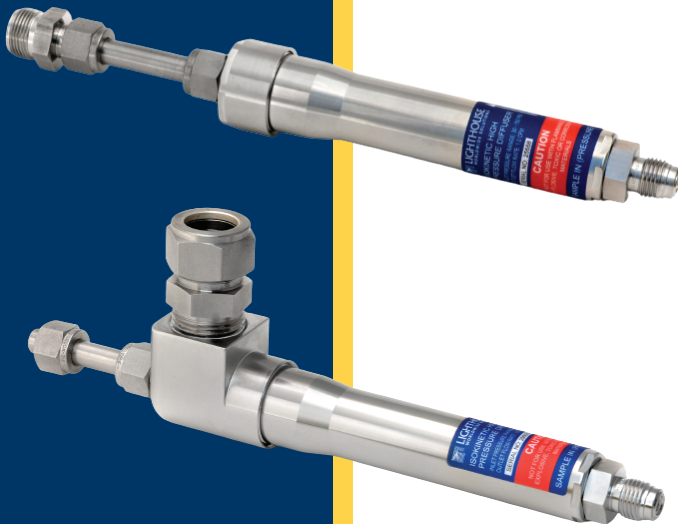


High Pressure Diffuser

ISOKINETIC HIGH PRESSURE DIFFUSER



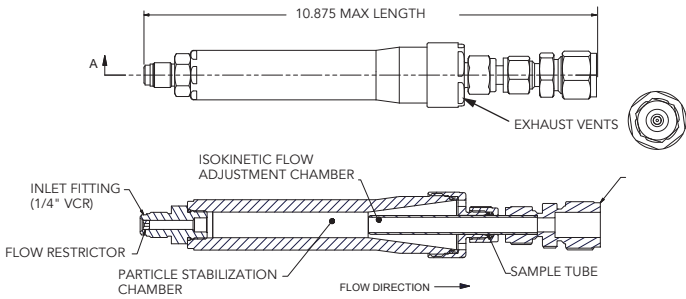
The high pressure diffuser was designed for use with Lighthouse Handheld, Solair, and ApexZ airborne particle counters in applications where the sample is under pressure. Standard applications include the sampling of CDA, nitrogen, and other inert gases.

Available in vented or ported versions, the configuration is determined by the excess sample gas being vented into the test area (vented model) or exhausted outside of the test area (ported model).

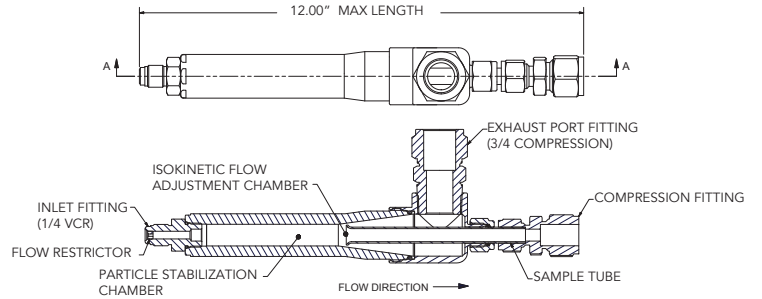
F E A T U R E S

- Allows Sampling of Inert Pressurized Gases
- 0.1, 1.0, 2.0, 3.5 CFM Models Available
- Pressure Ranges From 5 - 150 PSI (depending on flow rate)
- Ported and Exhausted Versions Available
- Compatible with Handheld, Solair and ApexZ Instruments
- 2 Year Warranty

High Pressure Diffuser Vented Version



High Pressure Diffuser Ported Version



TECHNICAL DATASHEET

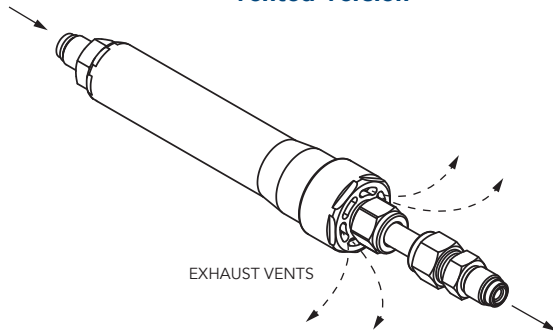
High Pressure Diffuser

Models	High Pressure Diffuser Vented Version	High Pressure Diffuser Ported Version
Diameter	1.30 (3.3 cm) at max diameter x 10.65" [27 cm] max length	1.30" (3.3 cm) at max diameter x 11.76" [29.9 cm] max length
Weight	1.1 lbs (0.5 kg)	1.50 lbs (0.68 kg)
Materials	Stainless steel with Nitrile (Buna-N) and fluorocarbon (Viton) o-rings	
Flow Control	Metal orifice	
Isokinetic Sampling Point	Adjustable over the inlet pressure range	
Sample Fluid	Pressurized air, nitrogen and inert gases	
Inlet Port	1/4" Metal gasket high purity VCR fitting	
Outlet Port	Compression, union fitting	
Cleanability	Easily disassembled and cleaned; replaceable o-rings	

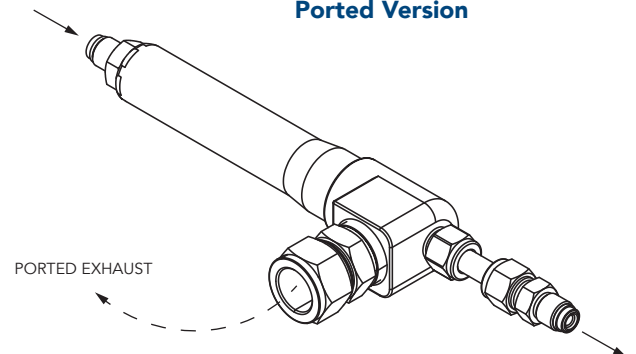
Particle Counter Compatibility

Blower Based	CFM(LPM)	Inlet Pressure Range	Tubing Size
ApexZ3	1.0(28.3)	30 - 150 Psi, (2.0 - 10.3 bars)	3/8"
ApexZ50(Ported)	3.5(100)	70 - 150 Psi, (4.8 - 10.3 bars)	1/2"
ApexZ50(Ported)	3.5(100)	30 - 70 Psi, (2.0 - 4.8 bars)	1/2"
ApexZ50(Ported)	3.5(100)	5 - 10 Psi, (0.35 - 0.69 bars)	1/2"
Pump Based			
HH 2016, 3016, 5016	0.1(2.83)	30 - 150 Psi, (2.0 - 10.3 bars)	1/4"
Solair 3100, 5100	1.0(28.3)	30 - 150 Psi, (2.0 - 10.3 bars)	1/4"
Solair 3350	3.5(100)	70 - 150 Psi, (4.8 - 10.3 bars)	3/8"

Vented Version



Ported Version



Distributed By:



Lighthouse Worldwide Solutions reserves the right to change specifications without notice.

www.golighthouse.com
info@golighthouse.com

+1-800-945-5905
+1-541-770-5905

LIGHTHOUSE
WORLDWIDE SOLUTIONS